



3000 kg



400 V

Double Scissor lift

Over floor | Item No.: TW S3-19



NEW: ANTI LIFT UP-Button

Description

Scissor lift over floor. Due to its ultra flat profile, you are able to lift very low sports cars. Double cylinders and a rocker arm system provide powerful lifting capabilities.

Features

- 1A Quality built with CE-Certificate
- Manufactured in accordance to ISO 9001
- Acoustic Warning signal (foot protection)
- Hydraulic synchronisation
- Automatic safety-lock-release system
- No restriction crossbar
- Rocker arm system
- High quality solid construction
- Emergency lowering valve
- **NEW: ANTI LIFT UP-Button** for precise lifting of the platform. This button temporarily overrides the automatic / time switching relays of the platform

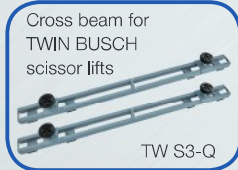
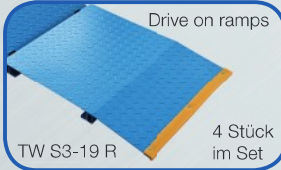
Delivery contents

- Lift incl. Power unit
- Rubber blocks
- Heavy duty anchor bolts (8 pcs.)
- English instruction manual
- Examination book and CE-Certificate

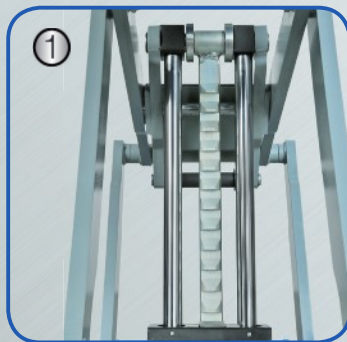


Product video

optionally available:

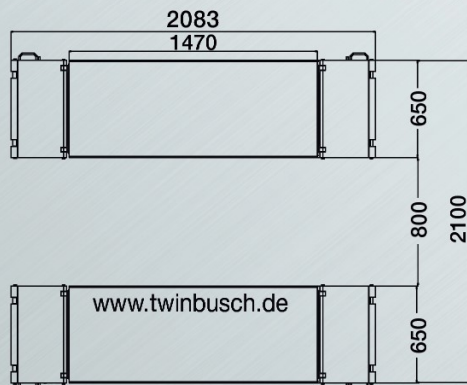
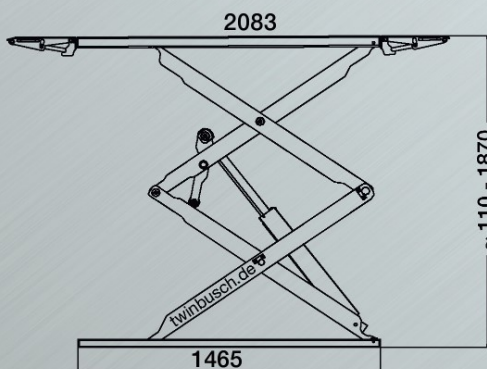


Details



(1) Automatic safety-lock-release system (2) Rocker arm system (3) Ultra low profil

Dimensions and technical data



Technical Data: TW S3-19	
Lifting capacity	3000 kg
Lifting height max.	1870 mm + Rubber
Drive on height	110 mm
Lifting, lowering time (approx.)	45/30 sec.
Power supply	400 V / 3 Phase
Motor power	2,2 kW
Fusing	16 A / type C
Weight (approx.)	960 kg